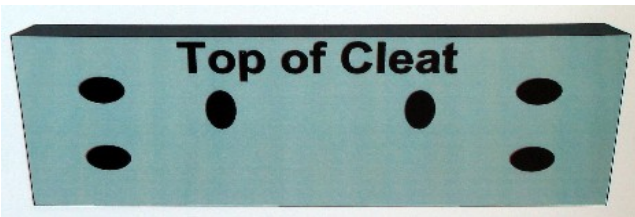
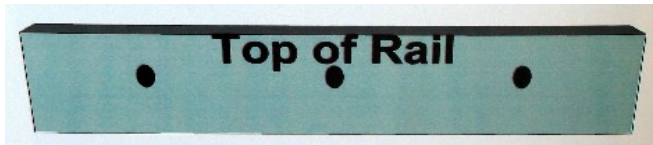


# BEN'S COUNTRY WOODSHOP SHAKER STEP STOOL WITH HANDLE

## Section 3

### Drilling Pocket Holes and Assembly

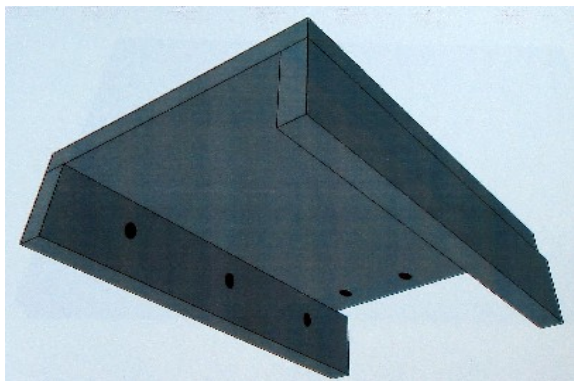


Once your pocket holes are drilled it is a good time to sand each piece, and to round the edges that will be available to touch when the Shaker step stool is assembled. These edges include:

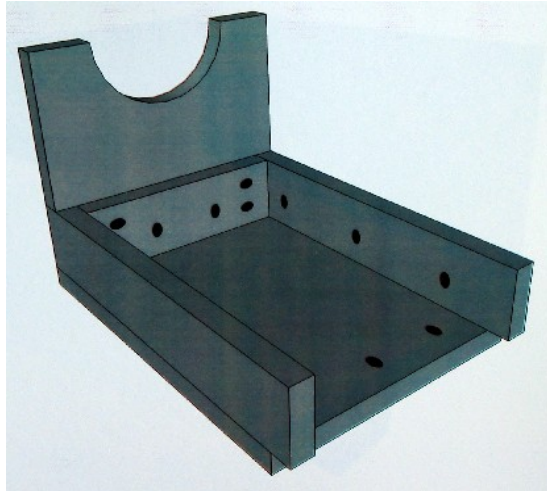
- the bottom and sides of the front;
- all around the back;
- the front and sides of the step;
- and the bottom of the rails.

It will be much easier to paint, or stain and varnish this Shaker step stool before assembly.

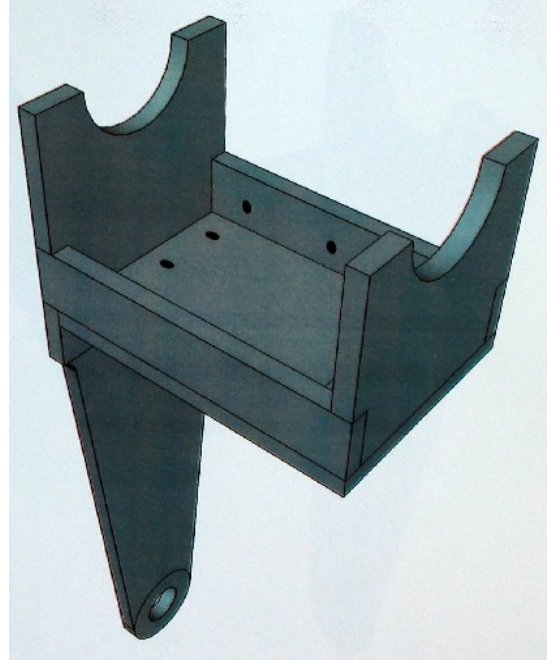
It is important to assemble your step stool in this order to be sure you can align each piece with its mates.



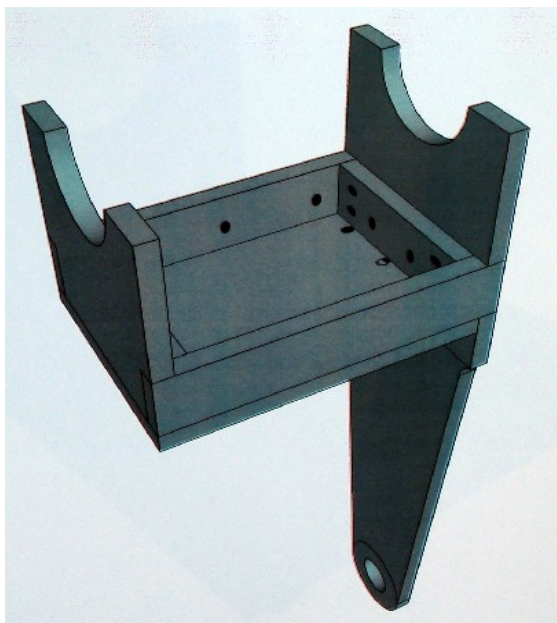
The front should slide into the space between the rails and the step. Drive the pocket screws from the front into the step.



**Attach the cleat to the front with wood screws. Then drive the pocket screws into the rails and into the step.**



**The rails should slide into the spaces you cut out of the back. Drive the pocket screws from the step into the back. This joint is not strong, so do not stand on your step stool yet.**



**The last piece to add is the cleat in the back. Use a couple of wood screws to attach the cleat to the back between the 2 rails. Then drive the pocket screws into the rails and the step. Once this cleat is attached, you will have a very strong step stool.**

